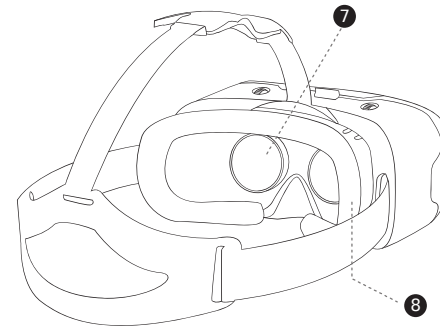
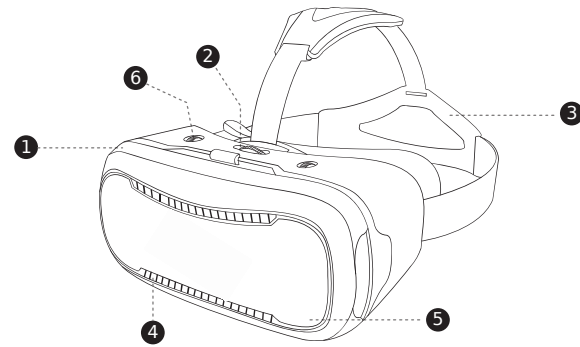
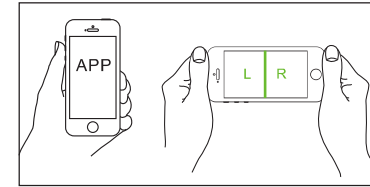


VR Owl specification



- 1. Device body
- 2. Pupil distance adjusting knob
- 3. Strap
- 4. Prepositive radiator
- 5. Removable panel
- 6. Focus distance adjusting knob
- 7. Optical lens
- 8. Leather patch

VR Glasses specification

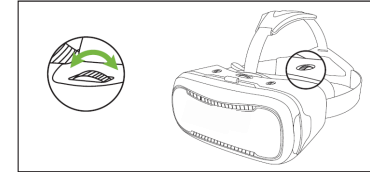
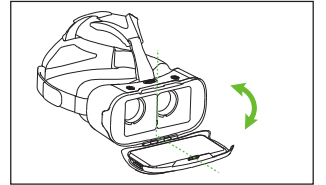


1 Download and play test video

Enter Android Market or App Store to download VR resources on mobiles (better under WIFI connection), select and install APP according to mobile system, download videos & games and test whether videos & games are split to screen left & right side (vis the figure at left) and played normally.

2 How to use the device.

Open the buckle on top carefully (vis figure), make the screen face to the inner center, unplug and adjust the slot, put the mobile into the slot, align it to the axis and close the cover (vis Figure D). If the mobile is found reverse, please adjust its direction.



3 Adjustment function

After wearing helmets, adjust the position of object-distance adjusting knob and pupillary distance adjusting knob to fit groups with different sights in order to provide users best experience effect. This product is also applicable to people with glasses.

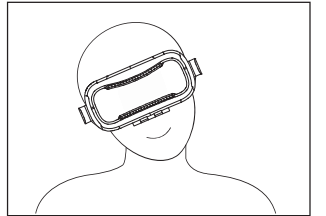
4 Introduction of game play

Two ways to play VR games:

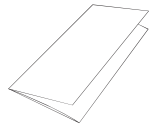
A: VR games can be controlled by gyroscope of smartphone, Shaking or rotating head to manipulate games. (As shown in right picture)

B: VR games can be controlled by bluetooth gamepad, move forward, Move backward, Turn left, Turn right and 360 degrees rotated.

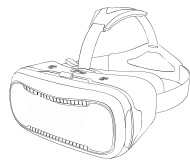
Note: Most of VR games can be controlled by gyroscope, No need Bluetooth gamepad, Whether Bluetooth gamepad is required or not, please refer to the game play tips.



Thank for purchasing VR Owl glasses
Please check the detailed list.



1pc manual



1pc device



FC RoHS

